

Questions? See us in the World Wide Web at www.dewalt.com

INSTRUCTIVO DE OPERACIÓN, CENTROS DE SERVICIO Y
POLIZA DE GARANTÍA. ADVERTENCIA: LEASE ESTE INSTRU-
TIVO ANTES DE USAR EL PRODUCTO.

INSTRUCTION MANUAL
GUIDE D'UTILISATION
MANUAL DE INSTRUCCIONES

DEWALT®

DW402/DW402G
Heavy Duty Small Angle Grinders
Petites rectifieuses coudées de service intensif
Esmeriladoras de ángulo pequeño para trabajo pesado

DeWALT Industrial Tool Co., 701 East Joppa Road, Baltimore, MD 21286
Printed in U.S.A. (MAR02-CD-1) Form No. 382900-01 DW402,402G Copyright © 2002

The following are trademarks for one or more DeWALT power tools: the yellow and black color scheme; the "D" shaped air intake grill; the array of pyramids on the handgrip; the kit box configuration; and the array of lozenge-shaped humps on the surface of the tool.

IF YOU HAVE ANY QUESTIONS OR COMMENTS ABOUT THIS OR ANY DEWALT TOOL,
CALL US TOLL FREE AT:

1-800-4-DEWALT (1-800-433-9258)

General Safety Instructions for All Tools

⚠ **WARNING!** Read and understand all instructions. Failure to follow all instructions listed below, may result in electric shock, fire and/or serious personal injury.

SAVE THESE INSTRUCTIONS

WORK AREA

- **Keep your work area clean and well lit.** Cluttered benches and dark areas invite accidents.
- **Do not operate power tools in explosive atmospheres, such as in the presence of flammable liquids, gases, or dust.** Power tools create sparks which may ignite the dust or fumes.
- **Keep bystanders, children, and visitors away while operating a power tool.** Distractions can cause you to lose control.

ELECTRICAL SAFETY

- **Grounded tools must be plugged into an outlet properly installed and grounded in accordance with all codes and ordinances. Never remove the grounding prong or modify the plug in any way. Do not use any adaptor plugs. Check with a qualified electrician if you are in doubt as to whether the outlet is properly grounded.** If the tools should electrically malfunction or break down, grounding provides a low resistance path to carry electricity away from the user. **Applicable only to Class I (grounded) tools.**
- **Double insulated tools are equipped with a polarized plug (one blade is wider than the other.) This plug will fit in a polarized outlet only one way. If the plug does not fit fully in the outlet, reverse the plug. If it still does not fit, contact a qualified electrician to install a polarized outlet. Do not change the plug in any way. Double insulation □ eliminates the need for the three wire grounded power cord and grounded power supply system. Applicable only to Class II (double insulated) tools.**
- **Avoid body contact with grounded surfaces such as pipes, radiators, ranges and refrigerators.** There is an increased risk of electric shock if your body is grounded.
- **Don't expose power tools to rain or wet conditions.** Water entering a power tool will increase the risk of electric shock.
- **Do not abuse the cord. Never use the cord to carry the tools or pull the plug from an outlet. Keep cord away from heat, oil, sharp edges or moving parts. Replace damaged cords immediately.** Damaged cords increase the risk of electric shock.
- **When operating a power tool outside, use an outdoor extension cord marked "W-A" or "W."** These cords are rated for outdoor use and reduce the risk of electric shock.

Recommended Minimum Wire Size for Extension Cords

Total Length of Cord						
25 ft.	50 ft.	75 ft.	100 ft.	125 ft.	150 ft.	175 ft.
7.6 m	15.2 m	22.9 m	30.5 m	38.1 m	45.7 m	53.3 m

Wire Size						
18 AWG	18 AWG	16 AWG	16 AWG	14 AWG	14 AWG	12 AWG

PERSONAL SAFETY

- **Stay alert, watch what you are doing and use common sense when operating a power tool. Do not use tool while tired or under the influence of drugs, alcohol, or medication.** A moment of inattention while operating power tools may result in serious personal injury.
- **Dress properly. Do not wear loose clothing or jewelry. Contain long hair. Keep your hair, clothing, and gloves away from moving parts.** Loose clothes, jewelry, or long hair can be caught in moving parts. Air vents often cover moving parts and should also be avoided.

- **Avoid accidental starting. Be sure switch is off before plugging in.** Carrying tools with your finger on the switch or plugging in tools that have the switch on invites accidents.
- **Remove adjusting keys or wrenches before turning the tool on.** A wrench or a key that is left attached to a rotating part of the tool may result in personal injury.
- **Do not overreach. Keep proper footing and balance at all times.** Proper footing and balance enables better control of the tool in unexpected situations.
- **Use safety equipment. Always wear eye protection.** Dust mask, non-skid safety shoes, hard hat, or hearing protection must be used for appropriate conditions.

TOOL USE AND CARE

- **Use clamps or other practical way to secure and support the workpiece to a stable platform.** Holding the work by hand or against your body is unstable and may lead to loss of control.
- **Do not force tool. Use the correct tool for your application.** The correct tool will do the job better and safer at the rate for which it is designed.
- **Do not use tool if switch does not turn it on or off.** Any tool that cannot be controlled with the switch is dangerous and must be repaired.
- **Disconnect the plug from the power source before making any adjustments, changing accessories, or storing the tool.** Such preventative safety measures reduce the risk of starting the tool accidentally.
- **Store idle tools out of reach of children and other untrained persons.** Tools are dangerous in the hands of untrained users.
- **Maintain tools with care. Keep cutting tools sharp and clean.** Properly maintained tools, with sharp cutting edges are less likely to bind and are easier to control.
- **Check for misalignment or binding of moving parts, breakage of parts, and any other condition that may affect the tools operation. If damaged, have the tool serviced before using.** Many accidents are caused by poorly maintained tools.
- **Use only accessories that are recommended by the manufacturer for your model.** Accessories that may be suitable for one tool, may become hazardous when used on another tool.

SERVICE

- **Tool service must be performed only by qualified repair personnel.** Service or maintenance performed by unqualified personnel could result in a risk of injury.
- **When servicing a tool, use only identical replacement parts. Follow instructions in the Maintenance section of this manual.** Use of unauthorized parts or failure to follow Maintenance Instructions may create a risk of electric shock or injury.

Additional Specific Safety Instructions for Grinders

- **Always use proper guard with grinding wheel.** A guard protects operator from broken wheel fragments. Do not use Type 1 abrasive or diamond wheels without proper guarding.
- **Accessories must be rated for at least the speed recommended on the tool warning label.** Wheels and other accessories running over rated speed can fly apart and cause injury. NEVER use Type II (Flaring Cup Wheels) on this tool.
- **Hold tool by insulated gripping surfaces when performing an operation where the cutting tool may contact hidden wiring or its own cord.** Contact with a "live" wire will make exposed metal parts of the tool "live" and shock the operator.
- **Before using, inspect recommended accessory for cracks or flaws.** If such a crack or flaw is evident, discard the accessory. The accessory should also be inspected whenever you think the tool may have been dropped.
- **When starting the tool (with a new or replacement wheel installed) hold the tool in a well protected area and let it run for one minute.** If the wheel has an undetected crack or flaw, it should burst in less than one minute. Never start the tool with a person in line with the wheel. This includes the operator.
- **In operation, avoid bouncing the wheel or giving it rough treatment.** If this occurs, stop the tool and inspect the wheel.
- **Always use Side handle.** The side handle should always be used to maintain control of the tool at all times.
- **Clean out your tool periodically.** Dust and grit containing metal particles often accumulate on interior surfaces and could create an electric shock hazard.
- **Never depress the spindle lock pin when the tool is running or coasting.** Damage to the gear and lock pin will result.
- **Always use guards with depressed center grinding wheels.**
- **Clean your tool out periodically.**

⚠ **CAUTION:** Wear appropriate personal hearing protection during use. Under some conditions and duration of use, noise from this product may contribute to hearing loss.

⚠ **WARNING:** Some dust created by power sanding, sawing, grinding, drilling, and other construction activities contains chemicals known to cause cancer, birth defects or other reproductive harm. Some examples of these chemicals are:

- lead from lead-based paints,
- crystalline silica from bricks and cement and other masonry products, and
- arsenic and chromium from chemically-treated lumber (CCA).

Your risk from these exposures varies, depending on how often you do this type of work. To reduce your exposure to these chemicals: work in a well ventilated area, and work with approved safety equipment, such as those dust masks that are specially designed to filter out microscopic particles.

- **Avoid prolonged contact with dust from power sanding, sawing, grinding, drilling, and other construction activities. Wear protective clothing and wash exposed areas with soap and water.** Allowing dust to get into your mouth, eyes, or lay on the skin may promote absorption of harmful chemicals.
- The label on your tool may include the following symbols.

V.....volts	A.....amperes
Hz.....hertz	W.....watts
min.....minutes	~.....alternating current
====.....direct current	n _ono load speed
□.....Class II Construction	.../min.....revolutions or reciprocation per minute
⊕.....earthing terminal	

SAVE THESE INSTRUCTIONS

Fitting and Removing Guard (Fig. 1)

IMPORTANT: Unplug the tool before fitting or removing the guard. Use the tool without the guard only when sanding or wire brushing.

FITTING GUARD:

1. Loosen screws (A), allowing the guard ring (B) to slide over the gear case hub (C).
2. Lugs on guard ring must align with groove in gear case hub.
3. Tighten screws to securely attach guard to gear case hub.

REMOVING GUARD:

Follow the above procedure in reverse order.

Installing Auxiliary Handle (Fig. 1)

The side handle (D) can be fitted to the left side, right side or top of the gear case in the threaded holes, as shown. The side handle should be used at all times to maintain complete control of the tool.

Mounting Grinding Wheels (Fig. 2)

Grinding wheels are available as optional accessories. Before fitting a grinding wheel, disconnect the plug from power source.

1. Locate the inner flange (A) on the machine spindle (B).
2. Place the wheel against the backing flange,(C) centering the grinding wheel on the backing flange pilot.
3. Screw the threaded clamp nut onto the spindle (D).
4. Rotate the spindle by hand while pressing the spindle lock fully until it has found its locking location and holds the spindle still (E).
5. Firmly tighten the threaded flange with the supplied hex wrench (F).

Mounting Edge Cutting Wheels (Fig. 2)

Type 27 Edge cutting wheels are available as optional accessories. Before fitting a cutting wheel, unplug tool from the power source.

1. Locate the inner clamp nut (A) on the machine spindle (B).
2. Place the wheel against the flange, (C) centering the grinding wheel on the backing flange pilot. (D).
4. Rotate the spindle by hand while pressing the spindle lock (E) fully until it has found its locking location and holds the the spindle still.
5. While depressing spindle lock button, firmly tighten the threaded flange with supplied hex wrench (F).

Fitting a Sanding Backing Pad and Sanding Disc

Sanding backing pads are available as optional accessories. To fit the pad, unplug the tool, follow instructions provided with the accessory.

CAUTION: Accessories must be rated for at least the speed recommended on the tool warning label. Wheels and other accessories running over rated speed can fly apart and cause injury.

Fitting Wire Cup Brushes

The wire cup brush or wire stringer bead wheel screws directly on the spindle of the machine without the use of flanges.

Operation

Starting the Tool Fig. 3)

Always be sure the tool is not locked on before plugging it in.

1. To start the grinder, squeeze the paddle switch (A) after rotating the off-lock (B) out of the way.
2. To turn the tool off, release the paddle.
3. The switch can be locked in the ON position by engaging the button (C) at the rear of the tool after squeezing the paddle.
4. To turn the tool off while the lock-on feature is engaged, squeeze and release the paddle.

For Grinding (Fig. 4)

Using a depressed center Type 27 wheel, use the tool at an angle of approximately 10-20 degrees to the work for grinding. Most type 27 wheels are not designed for cutting operations

Edge Cutting (Fig. 5)

Edge cutting can be performed only with Type 27 wheels that are designed and specified for this purpose. Protect yourself during edge cutting by directing the open side of the guard away from you and toward a surface.

Sanding With Abrasive Discs (Fig. 6)

When using an abrasive disc, hold the tool so that an angle of 5° to 15° exists between the disc and the work, as shown. If only the outer edge of the sanding disc is pressed flat against the work, the sanding action will be irregular and bumpy, and the tool will be difficult to control.

Precautions When Sanding Paint

Sanding of lead based paint is NOT RECOMMENDED due to the difficulty of controlling the contaminated dust. The greatest danger of lead poisoning is to children and pregnant women.

Since it is difficult to identify whether or not a paint contains lead without a chemical analysis, we recommend the following precautions when sanding any paint:

A. PERSONAL SAFETY

1. No children or pregnant women should enter the work area where the paint sanding is being done until all clean up is completed.
2. A dust mask or respirator should be worn by all persons entering the work area. The filter should be replaced daily or whenever the wearer has difficulty breathing.
NOTE: Only those dust masks suitable for working with lead paint dust and fumes should be used. Ordinary painting masks do not offer this protection. See your local hardware dealer for the proper (NIOSH approved) mask.
3. NO EATING, DRINKING or SMOKING should be done in the work area to prevent ingesting contaminated paint particles. Workers should wash and clean up BEFORE eating, drinking or smoking. Articles of food, drink, or smoking should not be left in the work area where dust would settle on them.

B. ENVIRONMENTAL SAFETY

1. Paint should be removed in such a manner as to minimize the amount of dust generated.
2. Areas where paint removal is occurring should be sealed with plastic sheeting of 4 mils thickness.
3. Sanding should be done in a manner to reduce tracking of paint dust outside the work area.

C. CLEANING AND DISPOSAL

1. All surfaces in the work area should be vacuumed and thoroughly cleaned daily for the duration of the sanding project. Vacuum filter bags should be changed frequently.
2. Plastic drop cloths should be gathered up and disposed of along with any dust chips or other removal debris. They should be placed in sealed refuse receptacles and disposed of through regular trash pick-up procedures. During clean up, children and pregnant women should be kept away from the immediate work area.
3. All toys, washable furniture and utensils used by children should be washed thoroughly before being used again.

Cleaning

Blowing dust and grit out of the motor housing using compressed air is a necessary regular maintenance procedure. Dust and grit containing particles from metal grinding often accumulate on interior surfaces and could create an electrical shock hazard if not frequently cleaned out.

CAUTION: Never use solvents or other harsh chemicals for cleaning the non-metallic parts of the tool. Use clean, dry rag only.

Lubrication

DEWALT tools are properly lubricated at the factory and are ready for use. Tools should be relubricated regularly every sixty days to six months, depending on usage. (Tools used constantly on production or heavy-duty jobs and tools exposed to heat may require more frequent lubrication.) This lubrication should only be attempted by trained power tool repairpersons.

Motor Brushes

DEWALT uses an advanced brush system which automatically stops the tool when the brushes wear out. This prevents serious damage to the motor.

Accessories

Recommended accessories for use with your tool are available at extra cost from your local dealer or authorized service center. If you need assistance in locating any accessory for your tool, please contact your local dealer or authorized service center.

CAUTION: The use of any other accessory not recommended for use with this tool could be hazardous.

Depressed center grinding wheels must fit within the confines of the guard and must be rated higher than the recommended speed as marked on the nameplate.

WARNING: To reduce the risk of injury, always use proper guards when grinding and wear eye protection.

Important

To assure product SAFETY and RELIABILITY, repairs, maintenance and adjustment (including brush inspection and replacement) should be performed by authorized service centers or other qualified service organizations, always using identical replacement parts.

Full Warranty

DEWALT heavy duty industrial tools are warranted for one year from date of purchase. We will repair, without charge, any defects due to faulty materials or workmanship. For warranty repair information, call 1-800-4-DEWALT. This warranty does not apply to accessories or damage caused where repairs have been made or attempted by others. This warranty gives you specific legal rights and you may have other rights which vary in certain states or provinces.

In addition to the warranty, DEWALT tools are covered by our:

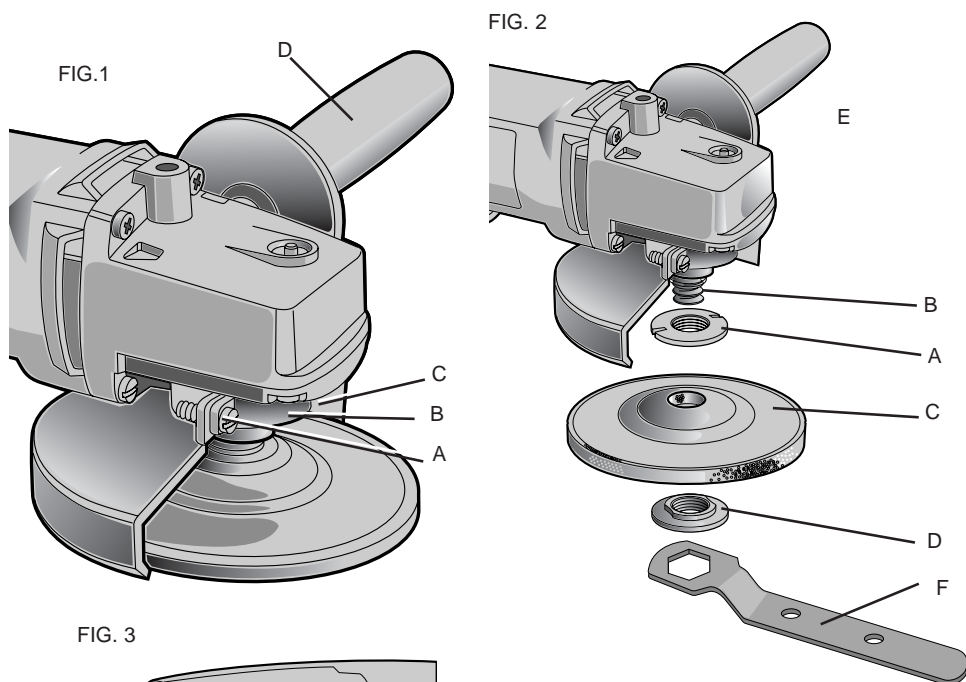


FIG. 3

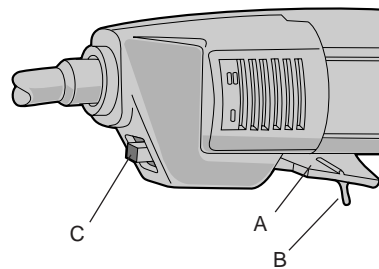


FIG. 4

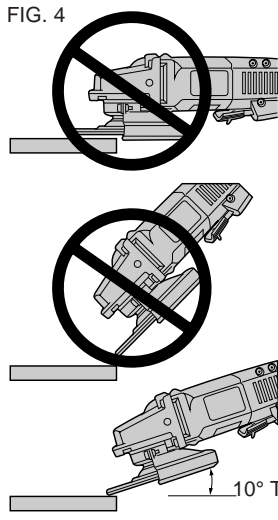


FIG. 5

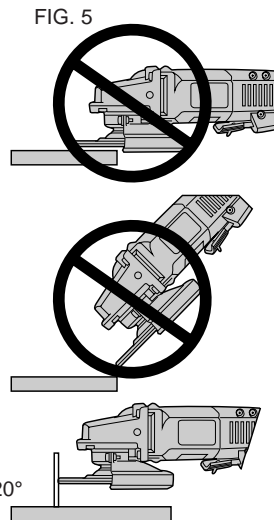
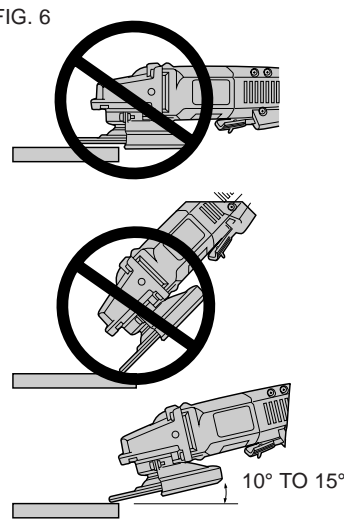


FIG. 6



30 DAY NO RISK SATISFACTION GUARANTEE

If you are not completely satisfied with the performance of your DEWALT heavy duty industrial tool, simply return it to the participating seller within 30 days for a full refund. Please return the complete unit, transportation prepaid. Proof of purchase may be required.

FREE WARNING LABEL REPLACEMENT: If your warning labels become illegible or are missing, call 1-800-4-DEWALT for a free replacement.

POUR TOUT RENSEIGNEMENT SUPPLÉMENTAIRE SUR CET OUTIL OU TOUT AUTRE OUTIL DEWALT, COMPOSER SANS FRAIS LE NUMÉRO:

1-800-4-DEWALT (1-800-433-9258)

RÈGLES DE SÉCURITÉ GÉNÉRALES

AVERTISSEMENT! Vous devez lire et comprendre toutes les instructions. Le non-respect, même partiel, des instructions ci-après entraîne un risque de choc électrique, d'incendie et/ou de blessures graves.

CONSERVEZ CES INSTRUCTIONS.

AIRE DE TRAVAIL

- **Veillez à ce que l'aire de travail soit propre et bien éclairée.** Le désordre et le manque de lumière favorisent les accidents.
- **N'utilisez pas d'outils électriques dans une atmosphère explosive, par exemple en présence de liquides, de gaz ou de poussières inflammables.** Les outils électriques créent des étincelles qui pourraient enflammer les poussières ou les vapeurs.
- **Tenez à distance les curieux, les enfants et les visiteurs pendant que vous travaillez avec un outil électrique.** Ils pourraient vous distraire et vous faire faire une fausse manoeuvre.

SÉCURITÉ ÉLECTRIQUE

- **Les outils à double isolation sont équipés d'une fiche polarisée (une des lames est plus large que l'autre), qui ne peut se brancher que d'une seule façon dans une prise polarisée. Ne modifiez pas la fiche de l'outil.** La double isolation élimine le besoin d'un cordon d'alimentation à trois fils avec mise à la terre ainsi que d'une prise de courant mise à la terre.
- **Évitez tout contact corporel avec des surfaces mises à la terre (tuyauterie, radiateurs, cuisinières, réfrigérateurs, etc.).** Le risque de choc électrique est plus grand si votre corps est en contact avec la terre.
- **N'exposez pas les outils électriques à la pluie ou à l'eau.** La présence d'eau dans un outil électrique augmente le risque de choc électrique.
- **Ne maltraitez pas le cordon. Ne transportez pas l'outil par son cordon et ne débranchez pas la fiche en tirant sur le cordon. N'exposez pas le cordon à la chaleur, à des huiles, à des arêtes vives ou à des pièces en mouvement. Remplacez immédiatement un cordon endommagé.** Un cordon endommagé augmente le risque de choc électrique.
- **Lorsque vous utilisez un outil électrique à l'extérieur, employez un prolongateur pour l'extérieur marqué «W-A» ou «W».** Ces cordons sont faits pour être utilisés à l'extérieur et réduisent le risque de choc électrique. S'assurer que le cordon de rallonge est en bon état. Lorsqu'on se sert d'un cordon de rallonge, s'assurer qu'il est de calibre approprié pour la tension nécessaire au fonctionnement de l'outil. L'utilisation d'un cordon de calibre inférieur occasionne une baisse de tension entraînant une perte de puissance et la surchauffe. Le tableau suivant indique le calibre approprié selon la longueur du cordon et les mentions de la plaque signalétique de l'outil. En cas de doute, utiliser un cordon de calibre supérieur. Le chiffre indiquant le calibre est inversement proportionnel au calibre du cordon.

Tension	Calibre minimal des cordons de rallonge			
	Longueur totale du cordon en pieds			
120 V	0-25	26-50	51-100	101-150
240 V	0-50	51-100	101-200	201-300
Intensité (A)	Calibre moyen de fil (AWG)			
Au moins	Au plus			
0 - 6	18	16	16	14
6 - 10	18	16	14	12
10 - 12	16	16	14	12
12 - 16	14	12	Non recommandé	

centro del respaldo en el huso. Instale la arandela de presilla en el huso y enrosque hacia la derecha, completamente sobre el huso. Ponga el botón de cierre.

Cuando use el disco de lijar, tenga la herramienta con un ángulo de 10° a 15° entre el disco y el trabajo. Si sólo se usa el extremo exterior del disco, resultará en un acabado de superficie aspera. Si el disco se aprieta contra el trabajo, la superficie será irregular y rugosa y la herramienta será difícil de controlar.

Como quitar el disco

Desconecte y desenchufe la herramienta.

Usando un paño o guante para proteger su mano, gire el disco hacia la izquierda para quitarlo del huso. Mantenga el huso bien sujeto engançando el cierre del huso.

Muela de centro rebajado (huso 5/8" - 11")

Se usan para quitar metal moderado en superficies lisas o contorneadas.

⚠ PRECAUCION: Nunca use ruedas de centro rebajado sin el protector adecuado. PARA INSTALAR RUEDAS DE CENTRO REBAJADO:

1. Asegúrese que la herramienta está desconectada y que el botón interruptor está en la posición "OFF".
2. Asegúrese de que el ensamblaje del protector está sujeto con seguridad al bastidor del huso.
3. Ponga el respaldo en el huso.
4. Revise la velocidad en la rueda de centro rebajado. Nunca use la rueda a velocidades menores de la que viene en el "aviso" de la etiqueta de la herramienta.
5. Ponga la rueda de centro rebajado en el huso.
6. Enrosque la arandela en el huso, mantenga el huso poniendo el botón de cierre y apretando la arandela con la llave.

Cuando use la rueda de centro rebajado, tenga la herramienta con un ángulo de 10° entre el disco y el trabajo.

Cepillos engarzados y anudados cepillos de alambre (5/8" - 11" huso)

Las aplicaciones normales para los cepillos de alambre incluyen la limpieza de soldaduras, ángulos, esquinas y eliminación de pintura. El uso de cepillos engarzados y muelas de cable trenzado es el mismo.

Se pueden usar para acabar superficies irregulares o esquinas.

Para instalar un cepillo acopado engarzado y muelas de cable trenzado.

1. Desconecte la herramienta y desenchúfela y asegúrese de que el botón interruptor está en OFF. Ponga el esmeril boca abajo con el huso hacia arriba.
2. Procure que la velocidad clasificada del cepillo es igual o superior a la velocidad recomendada en la etiqueta del esmeril.
3. Enrosque el cepillo en el huso y apriételo.

Limpieza

Una tarea de mantenimiento regular y necesaria es la de usar aire comprimido para quitar el polvo y la arenilla del bastidor del motor. El polvo y la arenilla que contienen partículas de metal se acumula a menudo en las superficies interiores y pueden crear un peligro de electrocución si no se limpia frecuentemente.

⚠ PRECAUCION: Nunca use disolventes o químicos fuertes para limpiar las partes no-metálicas de la herramienta. Use un paño limpio y seco solamente.

Precauciones a tomar al lijar

NO SE RECOMIENDA lijar pintura con base de plomo debido a la dificultad de controlar el polvo contaminante. Niños y mujeres embarazadas representan el grupo de mayor peligro de envenamiento de plomo.

SEGURIDAD DEL MEDIO AMBIENTE

1. Se debe quitar la pintura de tal forma que se produzca la menor cantidad de polvo posible.
2. Las zonas en las que se lije pintura deben de estar protegidas con láminas de plástico de 4 milésimas de pulgada de grosor.
3. A la hora de lijar se debe de reducir el esparcimiento de polvo de pintura fuera de la zona de trabajo.

LIMPIEZA Y ELIMINACION DE RESIDUOS

1. Todas las superficies de la zona de trabajo deben de ser aspiradas y limpiadas profundamente todos los días mientras dure el proyecto de lijado. Las bolsas del filtro de la aspiradora deben de cambiarse frecuentemente.
2. La ropa de protección de plástico debe de juntarse y eliminarse con las virutas de serrín y otros residuos. Se deben de colocar en contenedores cerrados y ponerse en el lugar normal de recogida de basura. A la hora de realizar la limpieza, niños y mujeres embarazadas deben estar fuera de la zona de trabajo inmediata.
3. Todo juguete, muebles lavables o utensilios usados por niños deben de lavarse en profundidad antes de usarse de nuevo.

Lubricación

Las herramientas DEWALT están lubricadas de fábrica y están listas para usarse. Las herramientas deben de ser relubricadas regularmente de cada sesenta días a seis meses, dependiendo de su uso. (Las herramientas usadas constantemente en trabajos pesados y las que están expuestas al calor pueden requerir lubricación más frecuente). Esta lubricación debe de ser realizada por personal calificado.

Carbones del motor

DEWALT usa un sistema avanzado de carbones que para la herramienta automáticamente cuando los carbones se gasten, así evitando daños graves al motor.

Accesorios

Dispone usted de los accesorios recomendados para su herramienta con cargo adicional con su distribuidor local o en los centros de servicio autorizado. Si necesita usted ayuda para encontrar algún accesorio, haga por favor contacto con:

⚠ PRECAUCION: El uso de cualquier accesorio no recomendado para emplearse con esta herramienta puede ser peligroso.

Las muelas de centro rebajado deben de caber dentro de las dimensiones del protector y deben de estar clasificadas para velocidades superiores a la velocidad recomendada en la etiqueta.

Importante

Para garantizar la SEGURIDAD y la CONFIABILIDAD, deberán hacerse reparaciones, mantenimiento y ajustes de esta herramienta en los centros de servicio para herramientas industriales de DEWALT. u otras organizaciones calificadas. Estas organizaciones prestan servicio a las herramientas DEWALT y emplean siempre refacciones legítimas DEWALT.

Póliza de Garantía

IDENTIFICACIÓN DEL PRODUCTO:

Sello o firma del Distribuidor.

Nombre del producto: _____ Mod./Cat.: _____

Marca: _____ Núm. de serie: _____

(Datos para ser llenados por el distribuidor)

Fecha de compra y/o entrega del producto: _____

Nombre y domicilio del distribuidor donde se adquirió el producto: _____

Este producto está garantizado por un año a partir de la fecha de entrega, contra cualquier defecto en su funcionamiento, así como en materiales y mano de obra empleados para su fabricación. Nuestra garantía incluye la reparación o reposición del producto y/o componentes sin cargo alguno para el cliente, incluyendo mano de obra, así como los gastos de transportación razonablemente erogados derivados del cumplimiento de este certificado.

Para hacer efectiva esta garantía deberá presentar su herramienta y esta póliza sellada por el establecimiento comercial donde se adquirió el producto, de no contar con ésta, bastará la factura de compra.

EXCEPCIONES.

Esta garantía no será válida en los siguientes casos:

- Cuando el producto se hubiese utilizado en condiciones distintas a las normales;
- Cuando el producto no hubiese sido operado de acuerdo con el instructivo de uso que se acompaña;
- Cuando el producto hubiese sido alterado o reparado por personas distintas a las enlistadas al final de este certificado.

Anexo encontrará una relación de sucursales de servicio de fábrica, centros de servicio autorizados y franquiciados en la República Mexicana, donde podrá hacer efectiva su garantía y adquirir partes, refacciones y accesorios originales.

Garantía Completa

Las herramientas industriales DEWALT están garantizadas durante un año a partir de la fecha de compra. Repararemos, sin cargos, cualquier falla debida a material o mano de obra defectuosos. Por favor regrese la unidad completa, con el transporte pagado, a cualquier Centro de Servicio para Herramientas Industriales de DEWALT o a las estaciones de servicio autorizado enlistadas bajo "Herramientas Eléctricas" en la Sección Amarilla. Esta garantía no se aplica a los accesorios ni a daños causados por reparaciones efectuadas por terceras personas. Esta garantía le otorga derechos legales específicos, y usted puede tener otros derechos que pueden variar de estado a estado.

En adición a la garantía, las herramientas DEWALT están amparadas por nuestra:

GARANTÍA DE SATISFACCIÓN SIN RIESGO POR 30 DÍAS

Si usted no se encuentra completamente satisfecho con el desempeño de su herramienta industrial DEWALT, sencillamente devuélvala a los vendedores participantes durante los primeros 30 días después de la fecha de compra para que le efectúen un reembolso completo. Por favor regrese la unidad completa, con el transporte pagado. Se puede requerir prueba de compra.

REEMPLAZO DE LAS ETIQUETAS DE ADVERTENCIA GRATUITO: Si sus etiquetas de advertencia se tornan ilegibles o se pierden, llame al 1-800-4-DEWALT para que se las reemplacen sin cost.

PARA REPARACION Y SERVICIO DE SUS HERRAMIENTAS ELECTRICAS FAVOR DE DIRIGIRSE AL CENTRO DE SERVICIO MAS CERCANO

CULIACAN Av. Nicolas Bravo #1063 Sur	(91 671) 242 10
GAUDALAJARA Av. La Paz #1779	(91 3) 826 69 78.
MEXICO Eje Lázaro Cárdenas No. 18 Local D, Col. Obrera	588-9377
MERIDA Calle 63 #459-A	(91 99) 23 54 90
MONTERREY Av. Francisco I. Madero Pte. 1820-A	(91 83) 72 11 25
PUEBLA 17 Norte #205	(91 22) 46 37 14
QUERETARO Av. Madero 139 Pte.	(91 42) 14 16 60
SAN LOUIS POTOSI Pedro Moreno #100 Centro	(91 48) 14 25 67
TORREON Blvd. Independencia, 96 pte.	(91 17) 16 52 65
VERACRUZ Prolongación Diaz Miron #4280	(91 29) 21 70 16
VILLAHERMOSA Constitucion 516-A	(91 93) 12 53 17

PARA OTRAS LOCALIDADES LLAME AL: 326 7100

Epecificaciones (DW402, DW402G)
Tensión de alimentación 120 V CA/CD
Frecuencia de operación: 60 Hz
Consumo de corriente: 7,5 A

IMPORTADO: DEWALT S.A. DE C.V.
BOSQUES DE CIDROS ACCESO RADIATAS NO. 42
COL. BOSQUES DE LAS LOMAS.
05120 MÉXICO, D.F.
TEL. 326-7100

Para servicio y ventas consulte
"HERRAMIENTAS ELECTRICAS"
en la sección amarilla.

